

| Modle NO. | CCT | Center | | |
|----------------------|-------|--------|--------|--------|
| | | code | x | y |
| RF-R30HP32DS-BF-I3-Y | 3000K | 30M | 0.4403 | 0.4030 |
| RF-R40HP32DS-BF-I3-Y | 4000K | 40M | 0.3801 | 0.3801 |
| RF-R6HP32DS-BF-I3-Y | 6500K | A65 | 0.3165 | 0.3400 |

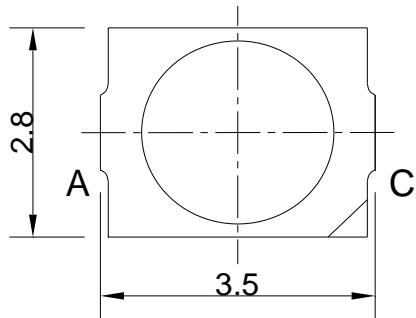


Fig.1-1 Top view

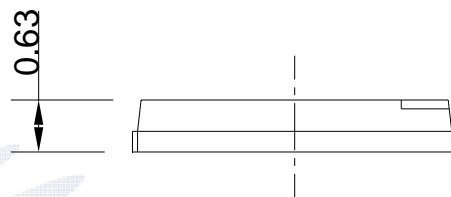


Fig.1-2 Side view



Fig.1-3 Bottom view



Fig.1-4 Polarity

Fig.1-5 Soldering patterns

Notes

All dimensions units are millimeters.

All dimensions tolerances are 0.05mm unless otherwise noted.